

◆ 방사선 투과 용접 결함 시험편 ◆

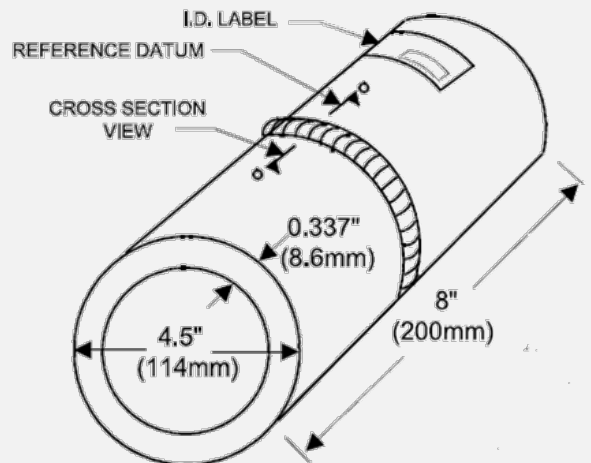
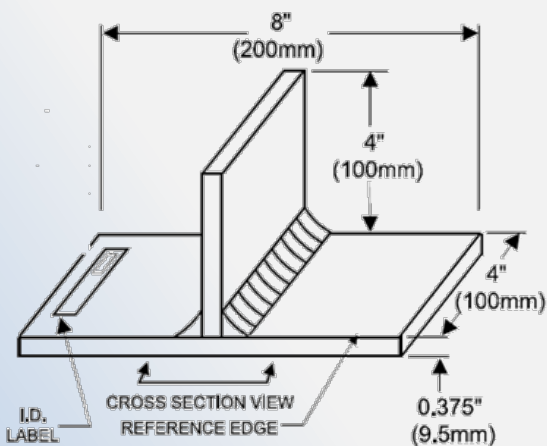
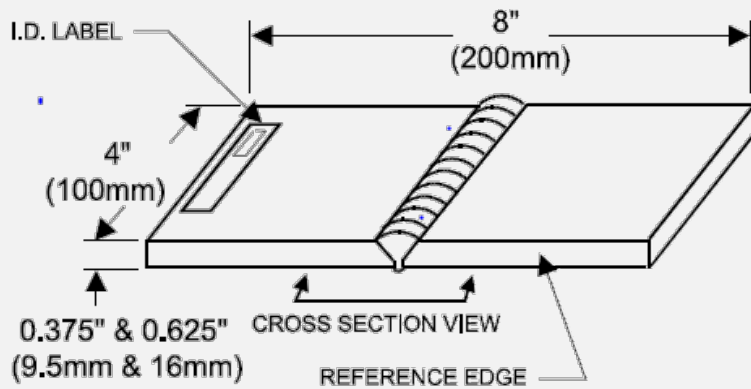
Model : RT Kit

방사선 검사에서 사용되는 대표적인 용접부의 인공 결함을 종류별로 다양하게 제작한 뛰어난 교육 자료입니다. FlawTech 시험편은 실질적인 용접에서 발생하는 모든 결함을 포함하는 시험편입니다.



특징

- PIPE(1), TEE(1), PLATE(8) 총 10EA/SET로 구성
- 시험편 내에 형태 및 크기, 위치가 다른 결함
- 결함 위치 및 형태에 대한 촬영 필름 포함
- 성적서 포함



◆ 방사선 투과 용접 결함 시험 편 ◆

Model : RT Kit



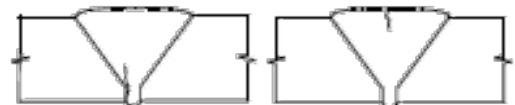
The Radiographic Kit contains:
8 Plates, 1 Pipe and 1 Tee / Carbon Steel

Each specimen contains 2 "REAL FLAWS", randomly placed

Actual X-Ray film is provided for each specimen. Specimens are packaged in 2 FREE CARRYING CASES. Complete with Document Package with "Flaw Truth" documented by CAD drawings with a Standard Tolerance of $\pm 0,150"$ (4mm).

The Standard Radiographic Examination Kit contains 20 flaws similar to those shown in the cross section drawings below.

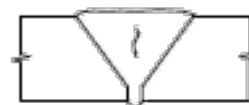
VISIT FLAWTECH WEBSITE OR CALL FOR PRICE INFORMATION



12. Root Crack in Single Vee
MT/PT, UT, RT



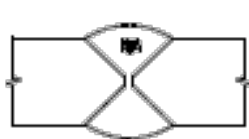
14. Centerline Crack (Single Vee - fracture breaking)
MT/PT, UT, RT



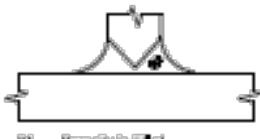
15. Centerline Crack, Single Vee (substrate)
UT, RT



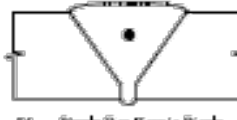
16. Porosity in Single Vee
RT, UT



19. Porosity in Double Vee (substrate)
UT, RT



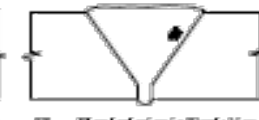
21. Porosity in Fillet (substrate)
UT, RT



24. Single Slag Inclusion in Single Vee
UT, RT



26. Slag Inclusion in Single Vee (root area)
UT, RT



27. Slag Inclusion in Single Vee (weld groove area)
UT, RT



28. Slag Inclusion in Fillet (root area)
UT, RT



35. Tungsten Inclusion in Single Vee (root area)
RT



36. Incomplete Root Penetration in Single Vee
VT, UT, RT



37. Incomplete Root Penetration in Double Vee
UT, RT



39. Incomplete Groove Weld (root area)
VT, MT/PT, UT, RT



70. Root Concavity in Single Vee
VT, RT



71. Groove Root Penetration in Single Vee
VT, RT



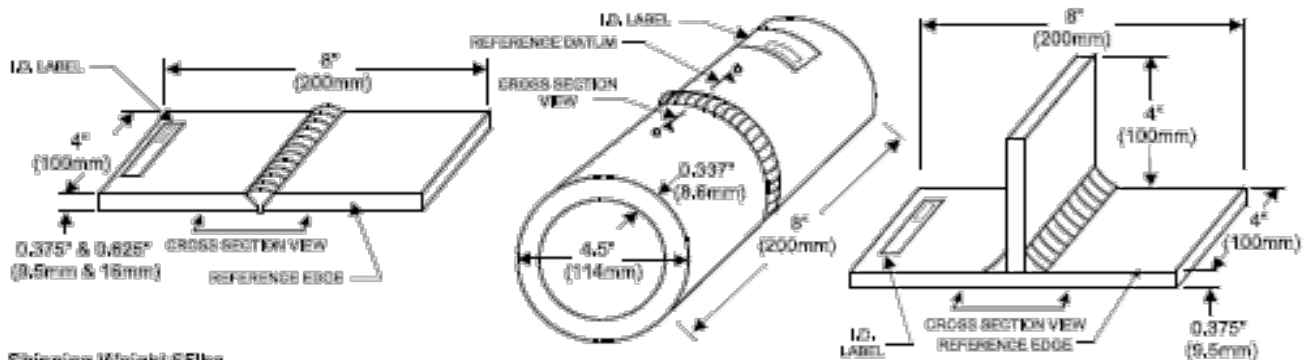
73. Misalignment, Root & Crown in Single Vee
VT, RT



99. Weld Spatter on Single Vee
VT, RT



92. Chipping/Hammer Marks on Single Vee
VT, RT



Shipping Weight 65lbs

ALL SPECIMENS CONTAIN
"REAL FLAWS"

CONTACT YOUR LOCAL NDT
SUPPLIER OR
FLAWTECH FOR ORDERING DETAILS