

INSTALLATION VIEW

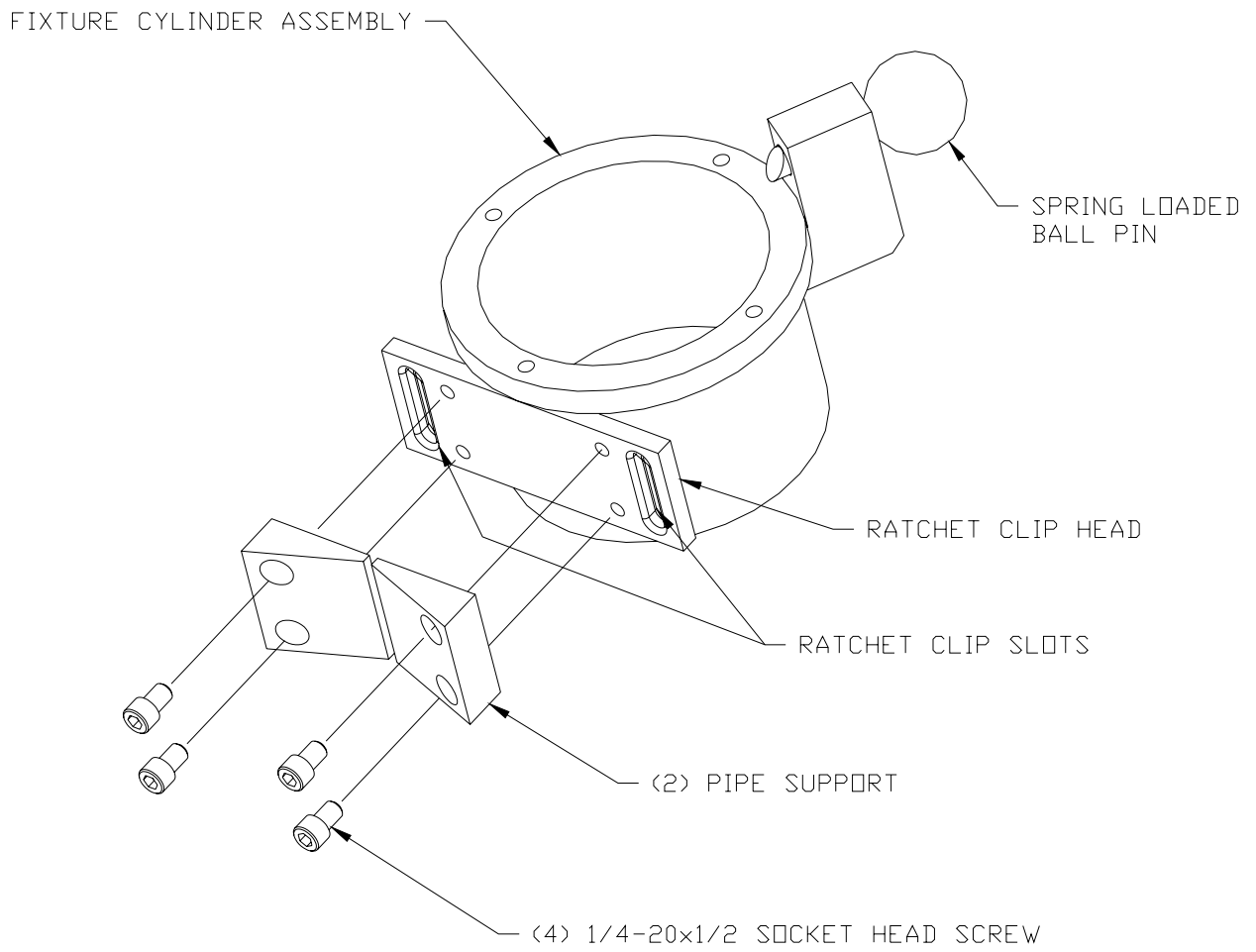


FIGURE 1 - VERTICAL PIPE MOUNT

j ^kMOU=
aÉÄÉäÄÉé-OMMN=
m-ÖÉ-U=qÑ=13=



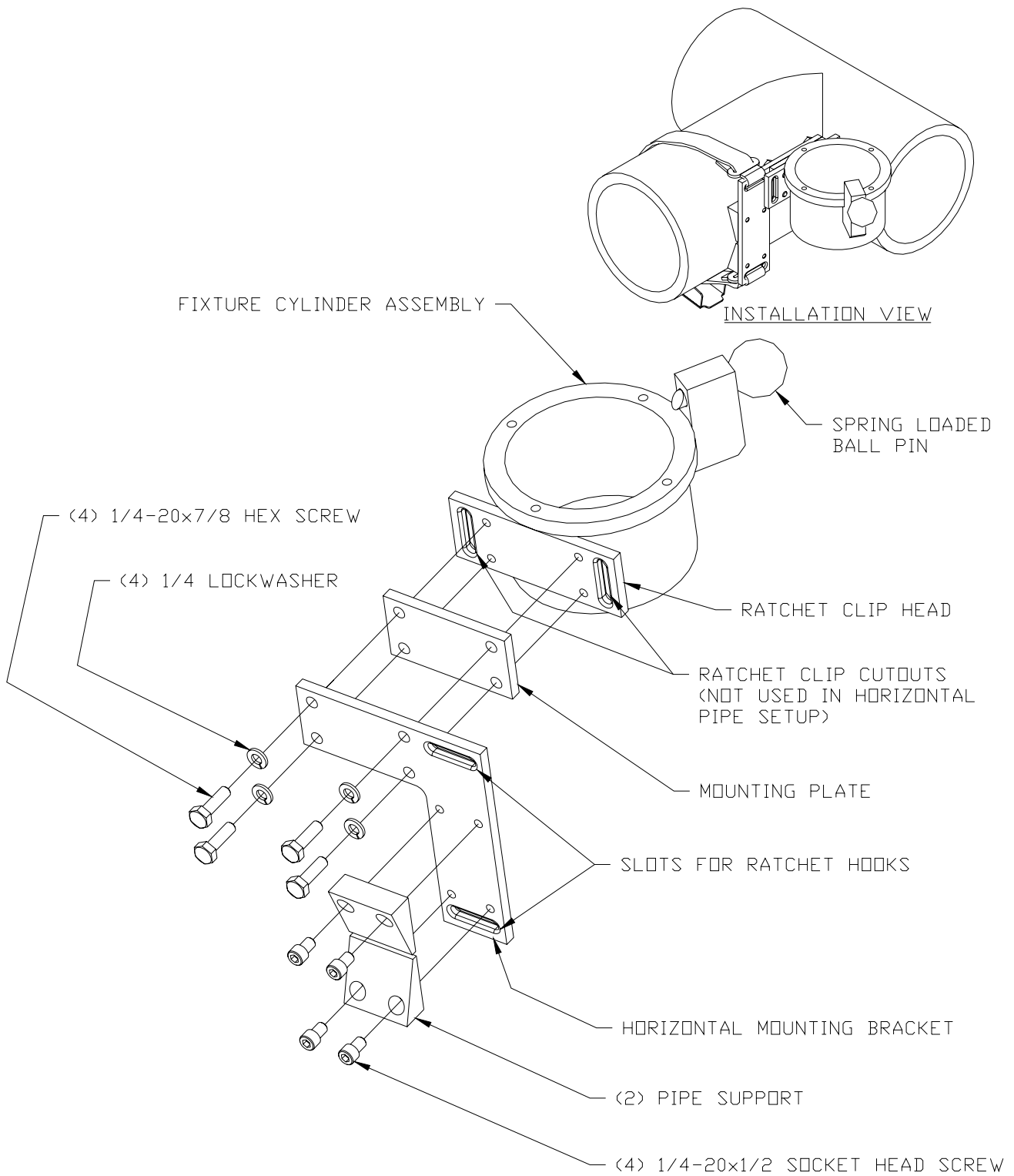


FIGURE 2 - HORIZONTAL PIPE MOUNT

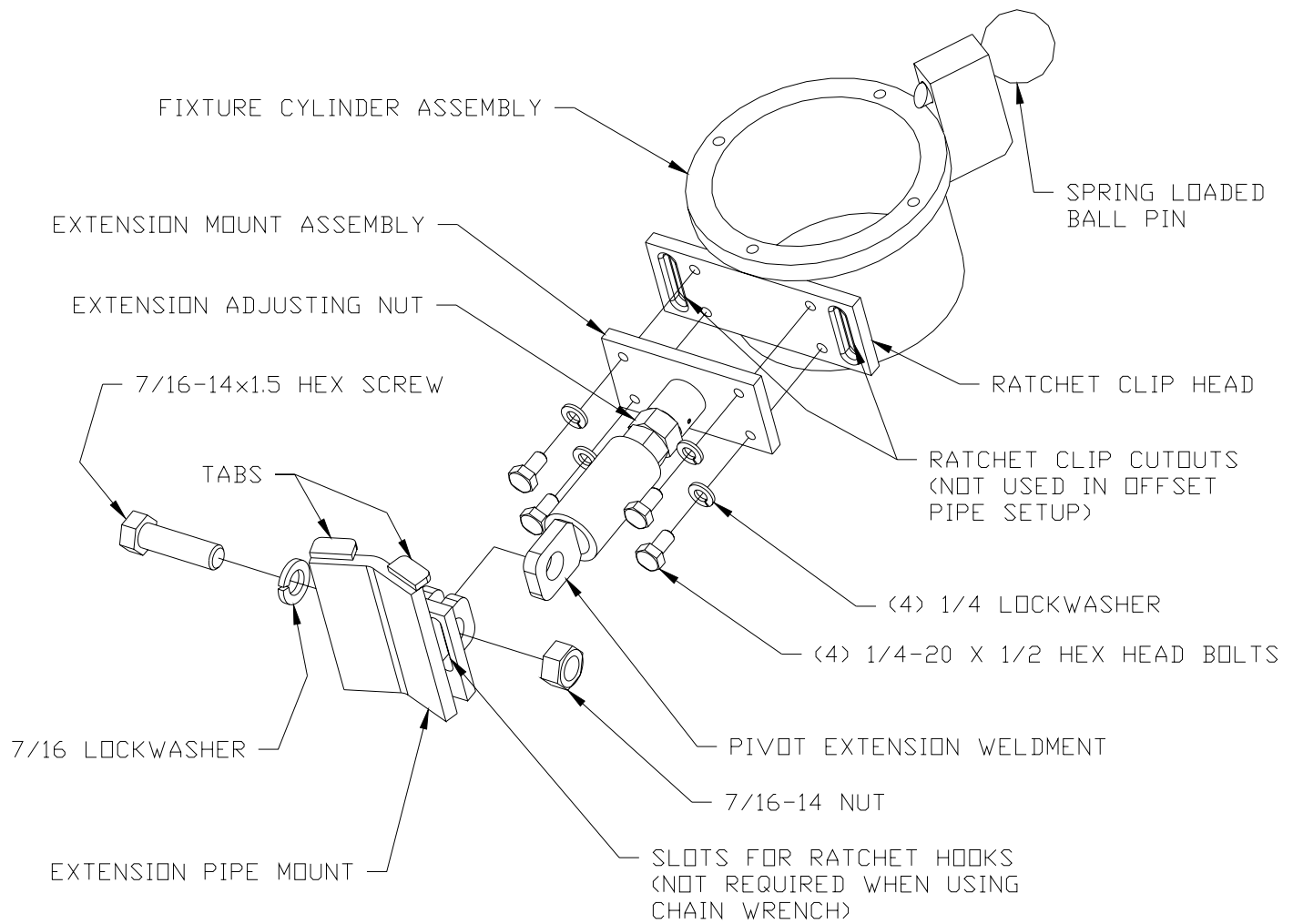
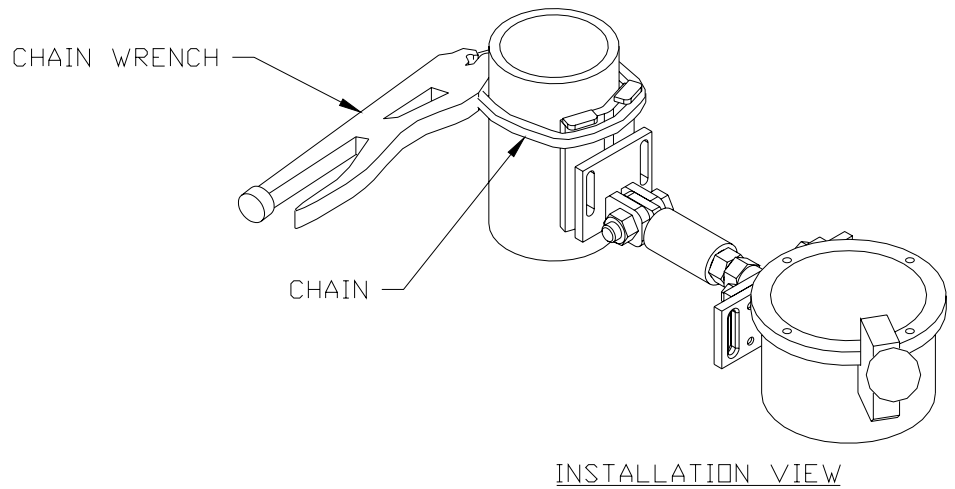


FIGURE 3 - OFFSET PIPE MOUNT

j ^kMOU=
 aÉÄÉäÄÉé-OMMN=
 m-ÖÉ-NM-çÑ=13=



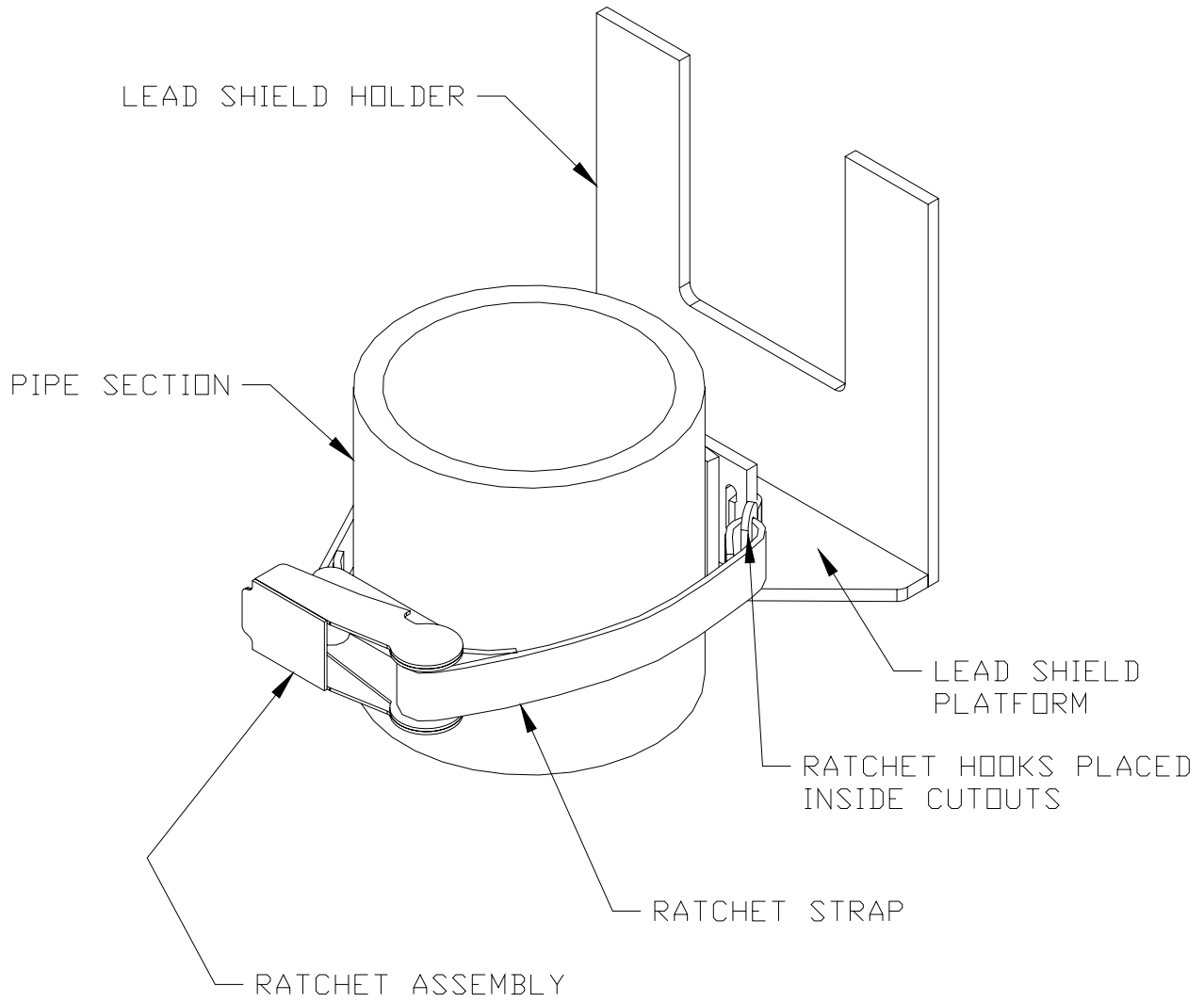


FIGURE 4 - SHIELD HOLDER INSTALLATION

=