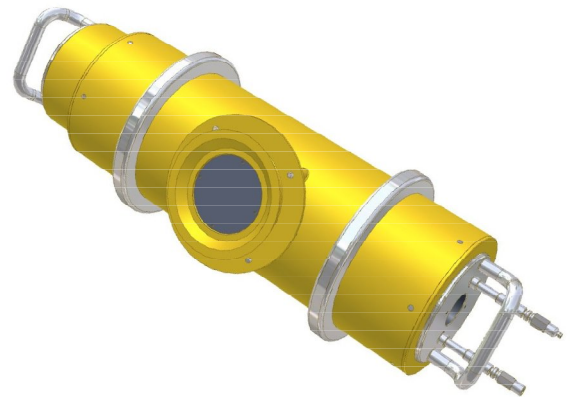


The TSD450/0 is introducing the series of the highest powerful tubes manufactured by BALTEAU. This tube doesn't offer a compromise to power neither to flexibility but is designed for heavy walled and highly absorbing applications mainly. Two independent filaments are giving the possibility to perform inspections up to 4 kW on the large filament. Thanks to its beryllium window this tube also delivers soft X-rays for light materials or improved radiographic techniques.

The tube shielding is internal and reduces the radiation leakage to less than 1 R/h @ 1 m as required by International standards. In and out fluid inlets are mounted with universal connectors while the two HV plug cones are R28.

This tube can be used with all brands of generators provided that the load curve can be adapted. See our specialists if you intend to connect this tube to another unit than a BALTEAU.



Specifications

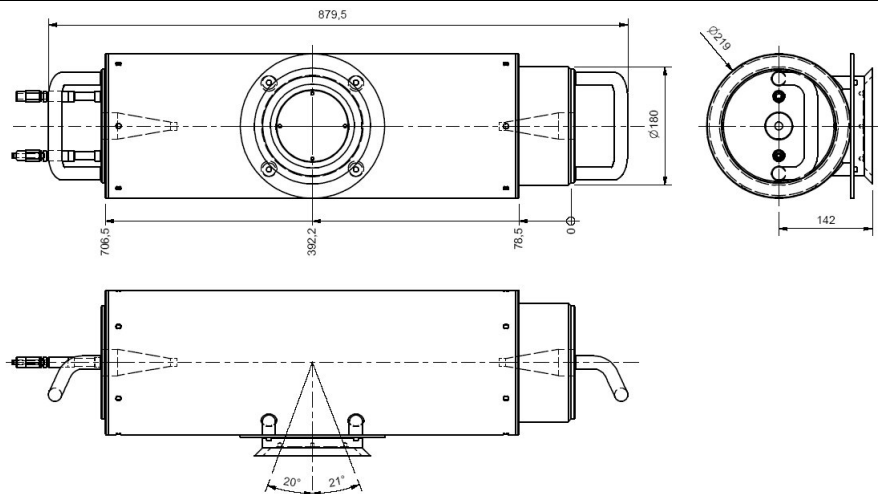
Max. High Voltage	kV	450	Nominal power	W	900 / 4500
Tube type	-	Metal-ceramic	Inherent filtration	mm	7 Be
Beam angle	-	40°	Target angle	-	30°
Cooling Mode	-	Oil	Leakage *	mSv/h @1m	10
HV Connector	-	R28	Cooling flow rate	l/min	17
Part number	-	04840480	Weight	kg	110

Small focal			Large focal		
Max Current @ kV Max	mA	2	Max Current @ kV Max	mA	10
Focal spot IEC336	-	1,2 x 1,2	Focal spot IEC336	-	3 x 3
Focal spot EN12543	d	2,5	Focal spot EN12543	d	5,5
Max Current	mA	20	Max Current	mA	30

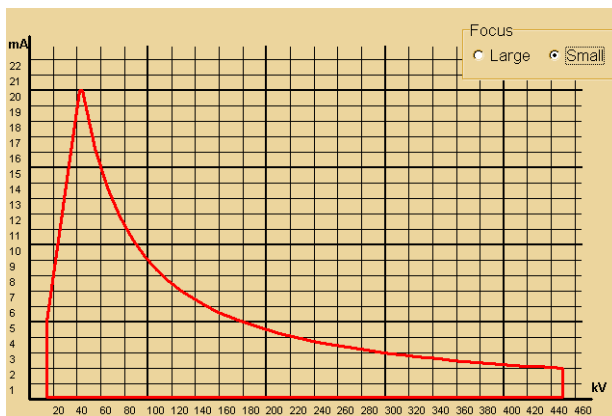
* Leakage radiation max at 1 m in mSv/h at nominal kV

All specifications are non contractual and are subject to change without prior notice

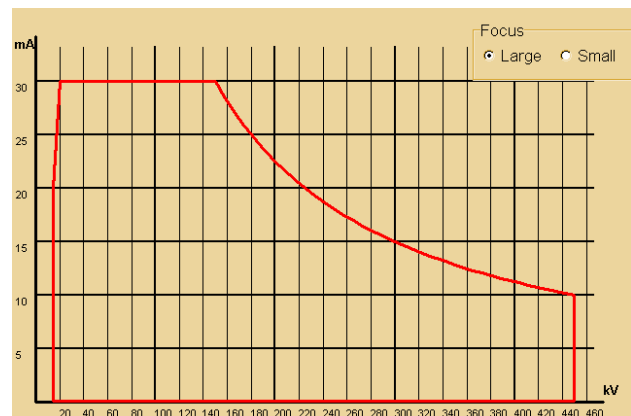
Mechanical



Dimensions in mm



Small focal



Large focal

Load curves are indicative as they display the theoretical capacity of the target that may be modified by the HV generator connected and/or by user's settings. Please consult our engineers for up to date information and data related to your generator.

Standard equipments

Oil connector

Optional accessories

Quick flanges with key ; TAS03 – Tube Accessories Support ; Lead shutter ; UTS– Universal Trolley Stand ; CLMT – Tube Collimator

Producer

Balteau NDT sa

Voie de Liège, 12
B-4681 Hermalle Sous Argenteau
BELGIUM

Tel.: +32 4 374 75 75
Fax: +32 4 374 75 85
E-mail: balteau@balteau-ndt.com
Website: www.balteau.com

Distributor

All specifications are non contractual and are subject to change without prior notice