

**The TSD225/0 is the highest capacity Monopolar tube of our range. It is designed to be used on light alloys, composites or medium steel thicknesses. One large filament can be used for high power applications (3 kW) and high dose demanding applications while the small focus will be ideal for high definition radiographies at reduced distances. The TSD225/0 is generally highly sufficient for the majority of standard industrial applications and is giving the advantage of still being Monopolar.**

**Slightly larger than a 160 tube, the housing diameter is only 124 mm which will ensure that the tube can still be inserted even in tiny spaces. The tube shielding is internal and reduces the radiation leakage to less than 1 R/h @ 1 m as required by International standards. In and out fluid inlets are mounted with universal connectors while the HV plug cone is a R24.**

**This tube can be used with all brands of generators provided that the load curve can be adapted. See our specialists if you intend to connect this tube to another unit than a BALTEAU.**



## Specifications

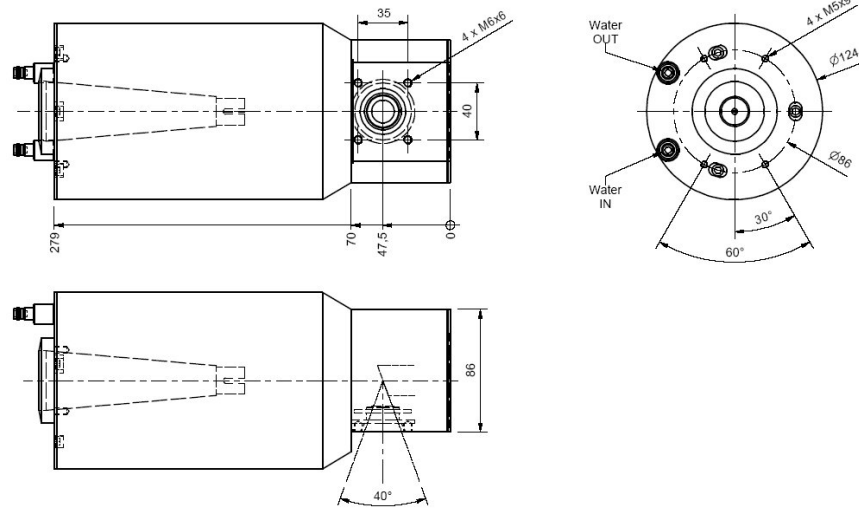
Max. High Voltage	kV	225	Nominal power	W	640 / 3000
Tube type	-	Metal-ceramic	Inherent filtration	mm	0,8 Be
Beam angle	-	40°	Target angle	-	20°
Cooling Mode	-	Water	Leakage *	mSv/h @1m	10
HV Connector	-	R24	Cooling flow rate	l/min	4
Part number	-	04840100	Weight	kg	11

Small focal			Large focal		
Max Current @ kV Max	mA	2,8	Max Current @ kV Max	mA	13
Focal spot IEC336	-	0,4 x 0,4	Focal spot IEC336	-	3 x 3
Focal spot EN12543	d	1	Focal spot EN12543	d	5,5
Max Current	mA	15	Max Current	mA	30

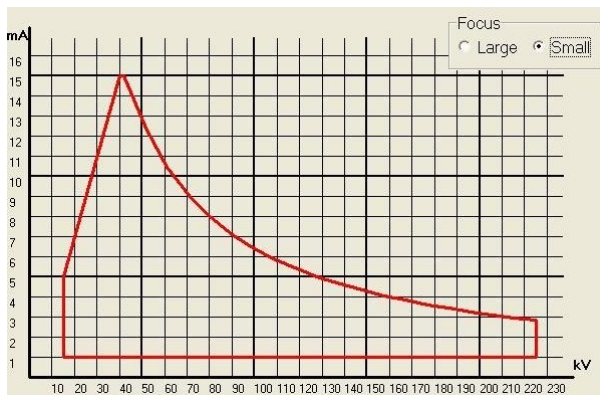
\* Leakage radiation max at 1 m in mSv/h at nominal kV

All specifications are non contractual and are subject to change without prior notice

## Mechanical



Dimensions in mm



Small focal



Large focal

Load curves are indicative as they display the theoretical capacity of the target that may be modified by the HV generator connected and by user's settings. Please consult our engineers for up to date information and data related to your generator.

## Standard equipments

Fittings for water hose connections d=8 and d=12 mm

## Optional accessories

Quick flange with key ; TAS01 – Tube Accessories Support ; Lead shutter ; FLS02 – Four Legs Stand ; CLMT – Tube Collimator

## Producer

### Balteau NDT sa

Voie de Liège, 12  
B-4681 Hermalle Sous Argenteau  
BELGIUM

Tel.: +32 4 374 75 75  
Fax: +32 4 374 75 85  
E-mail: [balteau@balteau-ndt.com](mailto:balteau@balteau-ndt.com)  
Website: [www.balteau.com](http://www.balteau.com)

## Distributor