



## Industrial X-ray Flaw Detectors

1. **Name:** Frequency conversion gas insulated Portable x-ray Flaw Detectors
2. **Model:** XXG-2505 (With ceramic x-ray tube)
3. **Manufacturer:** Dandong Aolong Radiative Instrument Co., Ltd.
4. **Equipment picture:**



### 5. Main character:

- Compact x-ray generator, anode grounded, forced air cooling
- Light weight, portable, easy to use
- The ratio of the exposure fine to the stop time is 1:1
- High voltage ,time delay function protects the operator from radiation
- Strictly controlled the production techniques, nice sculpt, reasonable design.

### 6. Main configuration:

I .Directional ceramic X-ray tube	1Pcs	250KV, 5mA	AOLONG
II .Generator (included above tube)	1nos		AOLONG
III. Interconnection cable with two plugs	1Pcs	25 Meters	AOLONG
IV . T4777 model Controller	1nos		AOLONG
V .Power supply cable with one plug	1Pcs	10 Meters	AOLONG
VI. Grounding cable	1Pcs	5 Meters	AOLONG
VII. Accessories bag	1Pcs		AOLONG

(Including: alarm lamp, 1 Pcs; lead letter, 1 box; dark bag, 5 Pcs; intensifying screen, 5 Pcs; Image quality indicator, 1 set; fuse, 1 set; Center indicator: 1 Pcs)

### 7. Main technical parameter:

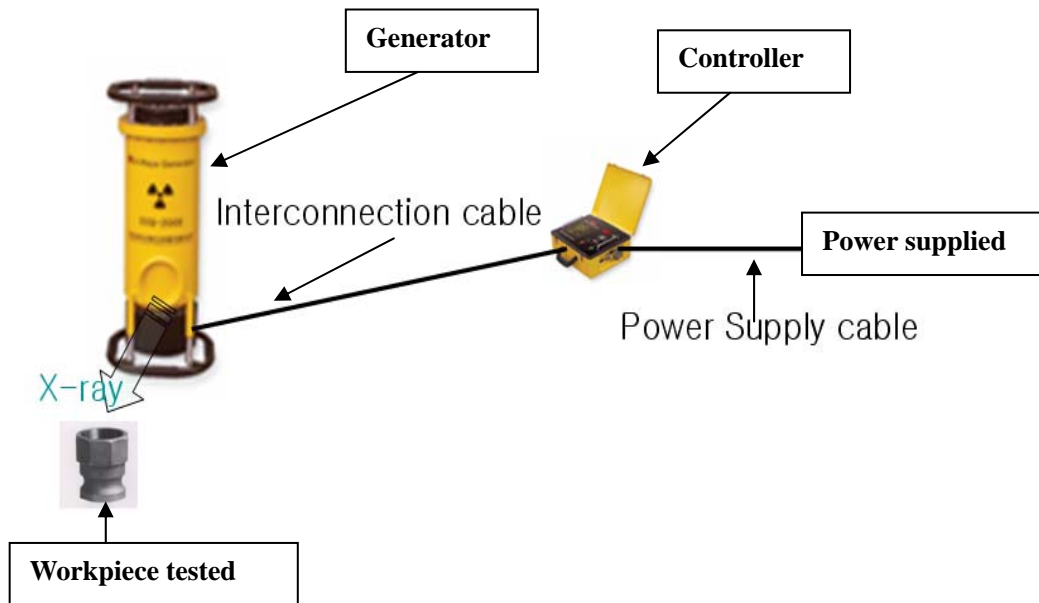
- Output voltage range: 150~250KV, Continuously adjustable
- Power supply:  $220 \pm 10\%$  VAC, 50Hz
- Tube current: 5mA
- Focus spot size:  $2.0 \times 2.0$ mm
- Beam angle:  $40 \pm 5^\circ$
- Photography condition:  
Focus 600mm; expose time 5 minters; double-face lead intensifying.
- Transmission sensitivity:  $< 1.5\%$
- Film density:  $> 1.5$
- Max penetration thickness: 40mm (A3 steel)
- Dimension and weight:  
Generator:  $325 \times 320 \times 640$ mm/30.5kg  
Controller:  $365 \times 300 \times 165$ mm/12.6kg



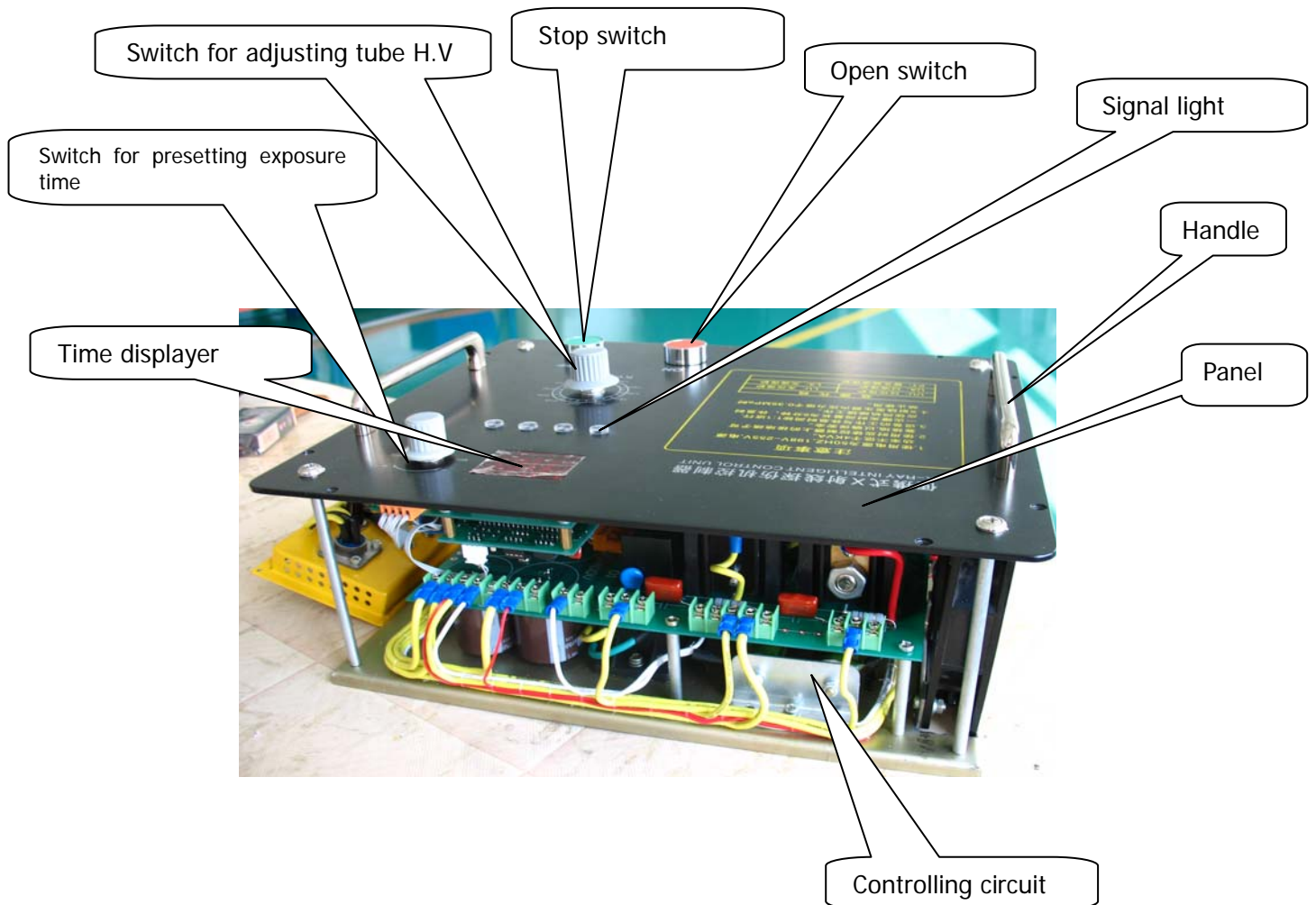
T4777 controller picture



### 8. The working scheme of whole machine

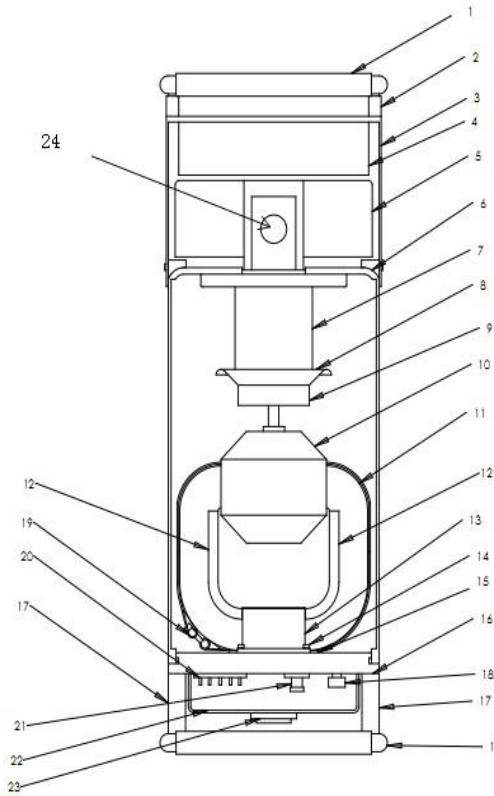


### 9. The drawings of controller





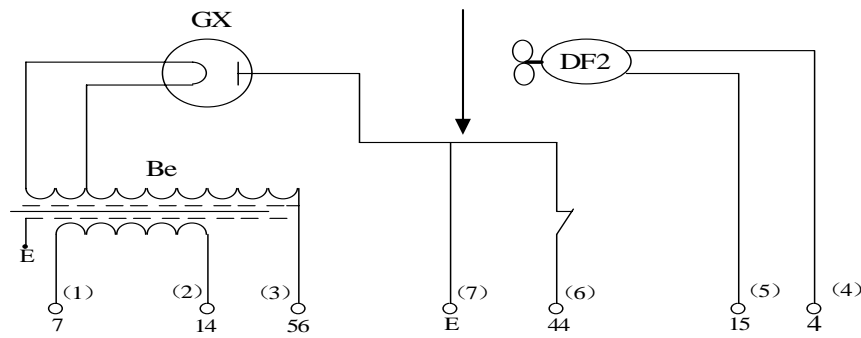
**10. The drawings of generator**



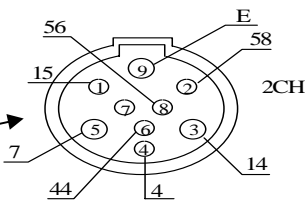
- 1. Handle
- 2. Absorber (head)
- 3. Cover of fan
- 4. Fan
- 5. Hat sink
- 6. Container of tube
- 7. 250KV tube inserted
- 8. Cover area of tube inserted
- 9. Cover of tube cathode
- 10. H.V coil
- 11. Iron core
- 14. Bolt
- 15. Absorber mat for iron core
- 16. Cover of machine
- 17. Absorber (bottom)
- 18. Pressure gage
- 19. Wire tie of iron core
- 20. 7 cores wire holder
- 21. Aerator tank
- 22. Cover of tube anode
- 23. Socket of cable
- 24. Ray window

**11. The drawing of interconnecting link**

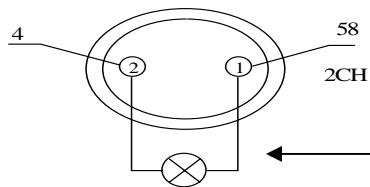
Drawings of 7 cores wire holder



Drawing of plug



Drawing of alarm lamp



**Many thanks for your attention, pls contact us: Mr. Charles**  
**Tel.:86-415-3458128**  
**Fax: 86-415-6278889**  
**E-mail:ndt.charles@gmail.com**